

THIS DRAWING IS UNPUBLISHED.

RELEASED FOR PUBLICATION

REVISIONS

ALL RIGHTS RESERVED.

© COPYRIGHT - By -

P	LTR	DESCRIPTION	DATE	DWN	APVD
	B	REVISED PER ECR-16-007103	25JUN2016	GSK	AP

TE P/N  
2829495-1

NOTES:

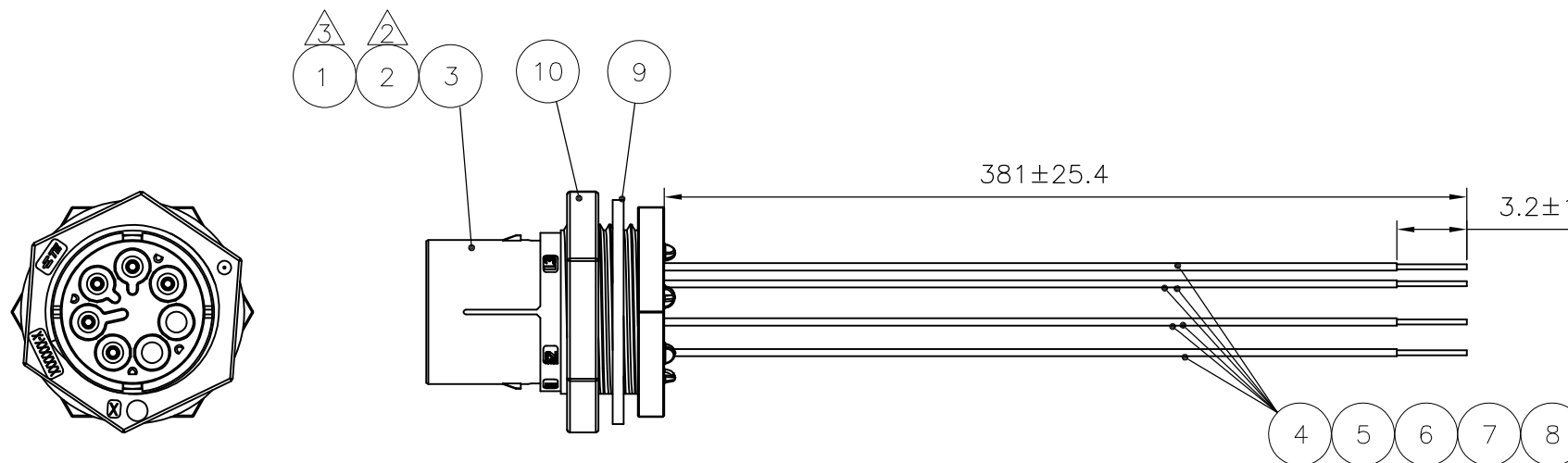
1 EACH ITEM AND ASSEMBLY MUST COMPLY WITH EUROPEAN REDUCTION OF HAZARDOUS SUBSTANCES (RoHS) REGULATION. UNDER DIRECTIVE 2011/65/EU .

2 DO NOT SOLDER CONTACT, CRIMP ONLY

3 IDENTIFY POSITION PE, LOADING POSITIONER PE TO SOCKET PE

4 PE CONTACT CIRCUIT IDENTIFIED BY EXTENDED LENGTH POLARIZED "KEY"

5 ELECTRICAL TEST:  
100% OPEN SHORT&MISS WIRE TEST  
CONTACT RESISTANCE: 2 OHM MAX



WIRE DIAGRAM

P1	COLOR
N	WHITE
L1	BLACK
PE	GREEN
L2 (NO PIN)	
S1	ORANGE
S2	BLUE
L3 (NO PIN)	

1	PC	PANEL NUT	10
1	PC	PANEL GASKET, SEALED NECTOR M	9
AR	M	WIRE, ELEC, 18 AWG, UL STYLE 1316/1452 ORANGE	8
AR	M	WIRE, ELEC, 18 AWG, UL STYLE 1316/1452 BLUE	7
AR	M	WIRE, ELEC, 18 AWG, UL STYLE 1316/1452 GREEN	6
AR	M	WIRE, ELEC, 18 AWG, UL STYLE 1316/1452 BLACK	5
AR	M	WIRE, ELEC, 18 AWG, UL STYLE 1316/1452 WHITE	4
1	PC	PIN HOUSING, PANEL, 5P, A CODE SEALED	3
5	PC	PIN, NECTOR-M, 16-18 AWG	2
1	PC	CONN, NECTOR-M, POSITIONER, 7P, -2	1
QTY	UoM	DESCRIPTION	ITEM

THIS DRAWING IS A CONTROLLED DOCUMENT.		DWN T.BURZYŃSKI 15JUN2015	<b>STE</b> TE Connectivity	
DIMENSIONS: mm		CHK D.E.MCCLURE 15JUN2015		
TOLERANCES UNLESS OTHERWISE SPECIFIED:		APVD A.V.ZANDVOORT 15JUN2015	NAME PIGTAIL 5 POS BULKHEAD PIN - STD UL CABLE SEALED	
0 PLC ± -		PRODUCT SPEC	-	
1 PLC ± -		APPLICATION SPEC	-	
2 PLC ± -		WEIGHT	SIZE A3	CAGE CODE 00779
3 PLC ± -		FINISH	DRAWING NO C-2829495	RESTRICTED TO
4 PLC ± -			SCALE NTS	SHEET 1 OF 1
ANGLES ± -		CUSTOMER DRAWING		
MATERIAL		SCALE NTS SHEET 1 OF 1 REV B		